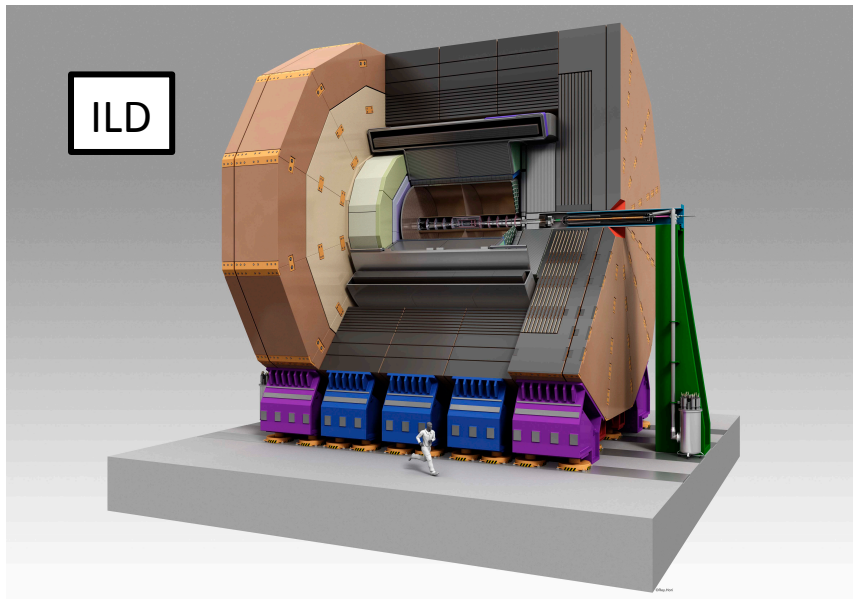
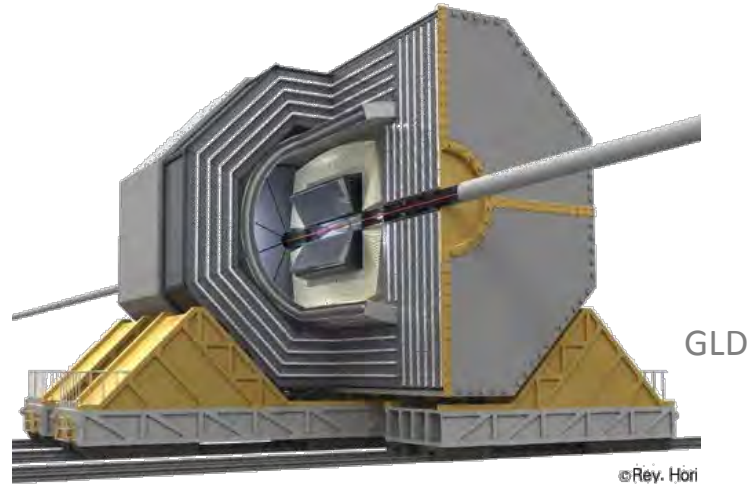
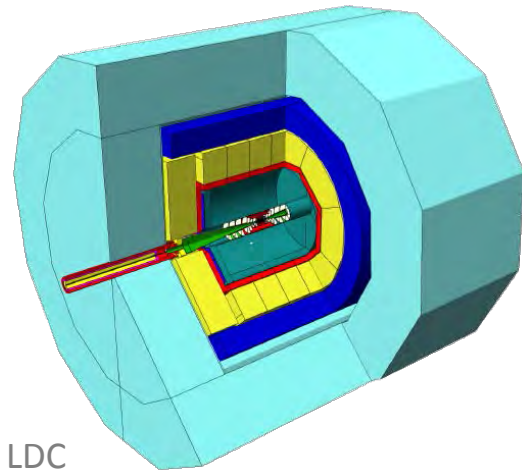


News from ILD/ILC

LDC, GLD → ILD

Reference Design Report,
August 2007



ILD Letter of Intent, 2010



ILC Status Report, 2011



ILC TDR/DBD, 2013

ILD workshops + (shorter) meetings at LC related conferences + regular (phone) meetings

- DESY Zeuthen, Jan 2008
- Cambridge, Sep 2008
- Seoul, Feb 2009
- Paris, Jan 2010
- Orsay, May 2011
- Fukuoka/Kyushu, May 2012
- Cracow, Sep 2013
- Oshu City, Sep 2014
- + more than 10 meetings @ Sendai, Warsaw, Chicago, Tsukuba, Albuquerque, Beijing, Hamburg, Geneva, Stanford, Eugene, Granada
- ~2-weekly phone meetings on: physics analysis + software, detector optimization, MDI+Integration
- Detector R&D meetings and testbeams by e.g. LCTPC, Calice, FCAL collaborations

ILD present organisation (work in progress)

- **ILD membership is on institutional basis:**
 - Call for groups to sign “Statement of participation in ILD”
 - Currently 61 institutes have signed up
- each ILD member institute has one seat/vote **in ILD Institute Assembly (IA)**
- **IA has elected chair and**
 - Defines next step of ILD structure
 - Defines procedure to election of ILD leadership
 - **First draft circulating in IA; comments by Thursday 19 Feb ‘15**
- Until then “day-to-day” business by Joint Steering Board

Member list (1)

- (1) **Austria:** HEPHY Vienna
- (1) **Belgium:** Univ. Gent
- (3) **Canada:** Carleton Univ., McGill Univ., Univ. Victoria
- (1) **China:** USTC Hefei
- (2) **Czech Republic:** IPASCR Prague, FNSPE (CTU) Prague
- (9) **France:** Univ. Blaise Pascal Clermont-Ferrand, OMEGA Palaiseau, LPSC Grenoble, LAL Orsay, LPNHE Paris, CEA/Irfu Saclay, LLR Palaiseau, IPNL Lyon, IPHC Strasbourg
- (9) **Germany:** Univ. Hamburg, Univ. Heidelberg, Univ. Wuppertal, Univ. Mainz, Univ. Siegen, MPP Munich, DESY, MPG HLL Munich, Univ. Bonn
- (2) **India:** SINP Saha, IITG Guwahati
- (1) **Israel:** Tel Aviv Univ.
- (10) **Japan:** Nippon Dental Univ. Niigata, Shinhu Univ. Nagano, Univ. of Tokyo, Kogakuin Univ. Tokyo, Hiroshima Univ., IPNS KEK, Tohoku Univ. Sendai, Kinki Univ. Osaka, Kyushu Univ. Fukuoka, Saga Univ.
- (1) **Netherlands:** Nikhef Amsterdam
- (1) **Oman:** Salalah College of Technology
- (3) **Poland:** Univ. Warsaw, AGH-UST Krakow, IFJ PAN Krakow

Member list (2)

- (1) **Korea:** CHEP Daegu
- (5) **Russia:** KIAM RAS Moscow, ITEP Moscow, NRNU MEPhi Moscow, BINP Novosibirsk, SINP MSU Moscow
- (5) **Spain:** CIEMAT Madrid, IFIC-CSIC Valencia, CNM Barcelona, UB Barcelona, IFCA Santander
- (3) **UK:** Univ. Birmingham, UCL London, Univ. Cambridge
- (3) **USA:** NIU DeKalb IL, Univ. of Kansas Lawrence KS, Princeton Univ. NJ

61 institutes in total

Joining ILD is possible at any moment

Nikhef and ILD/ILC

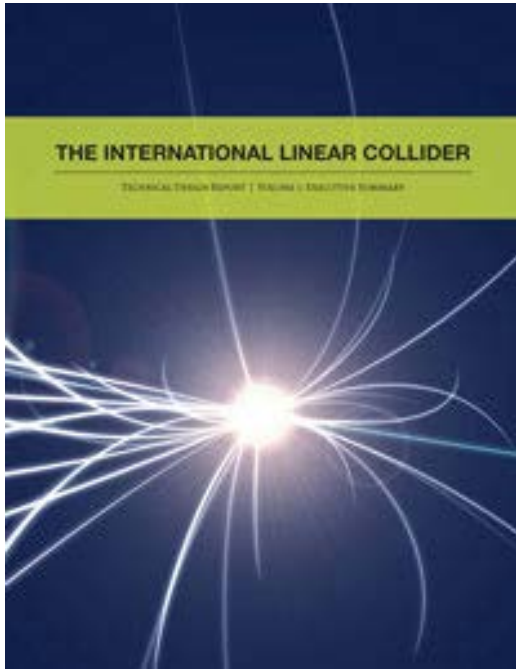
- 20 people signed ILD LOI (2010) and/or ILC TDR (2013)
- Nikhef signed up for membership of ILD (June 2014)

- 11 people attended “group” meeting last Friday
 - Most people presently still busy with (mainly) LHC activities
 - Operate as one Dutch group, but list clearly “double” affiliation for university staff

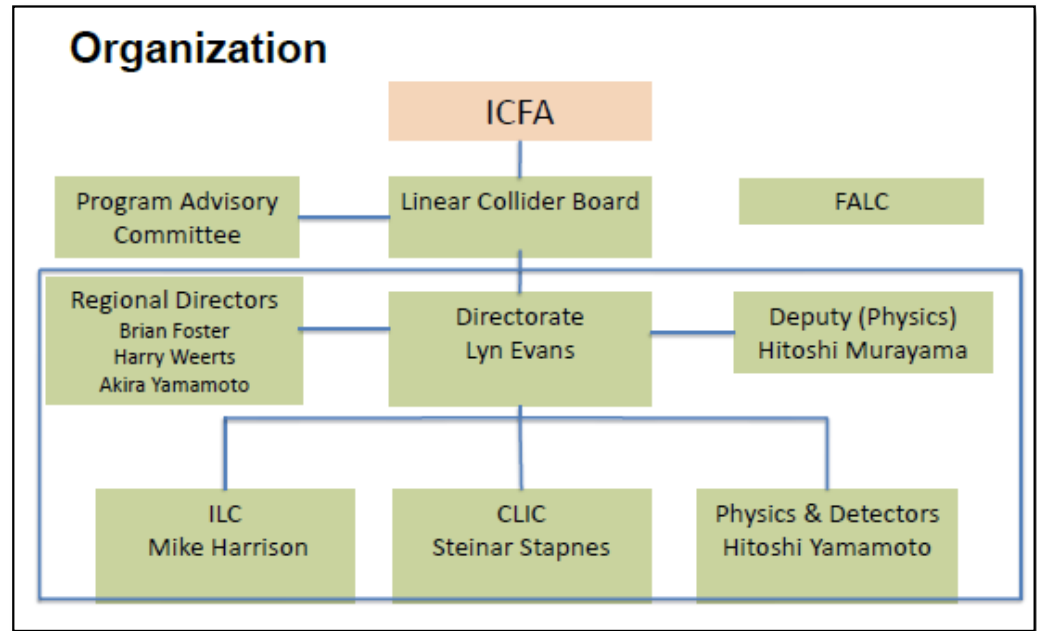
- Current Nikhef activity on tracking detectors (in particular TPC)
- At this moment in ILD:
 - Si tracking in barrel halted
 - No real DAQ activity
 - Calorimetry in very forward region could need help

ILC structures/status

2013

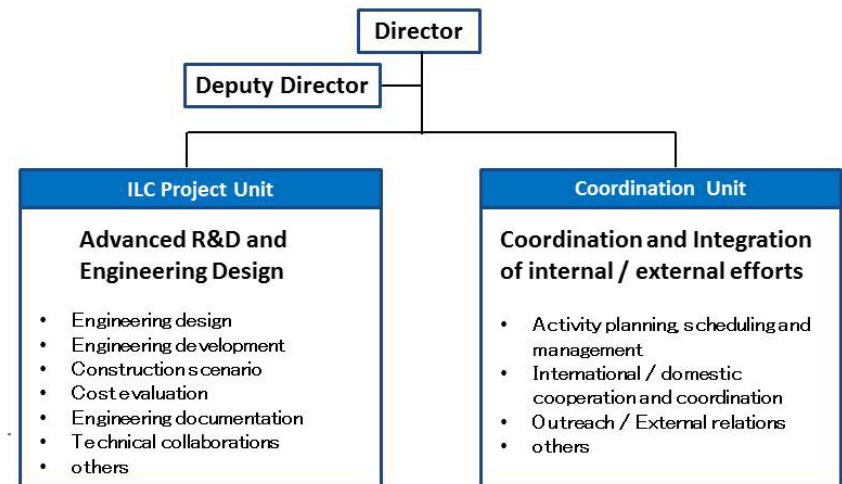


ILC organisation



Set up the ILC Planning office in January 2014
Work closely with MEXT, LCC, and ICFA/LCB to promote the ILC project

At KEK



Summary

Since three regions have the common scientific strategy for the ILC, **now preparations towards launching the project has the highest priority.**

Two subcommittees:

(1) LCB Subcommittee on ILC Laboratory Organization and Management

(2) Subcommittee to propose an international agreement for the ILC project (Major Lab directors)

Draft document is almost ready from the Subcommittee (1) for the

PAC will be held in April 2015 at LAL Orsay

The community has to have a coherent view on LC.

MEXT's ILC Review

MEXT's ILCTask Force

From Keisuke Fujii, Grenoble 1 Dec 2014

Academic Experts Committee (2014-5-1→2016-3-31: extensible if needed)

1. Total project cost (including construction, operation, upgrade, and decommissioning) and its international sharing
2. Strategy for particle physics research at ILC taking into account other related projects, and possible additional cost
3. Necessary human resources in construction, and operation periods, including leaders
4. Domestic organization and management
5. Social influence of ILC
6. Budgetary framework which will not conflict with other important projects/policies

LCC Physics WG

ILC physics case

ILC Parameter WG

Running scenarios

Particle and Nuclear Physics WG

Review ILC physics case, taking into account other HEP projects

TDR Validation WG

Evaluate ILC TDR from technical point of view (mostly on accelerator)

ILC Infra.&Planning WG

cost/man power estimate

Inputs

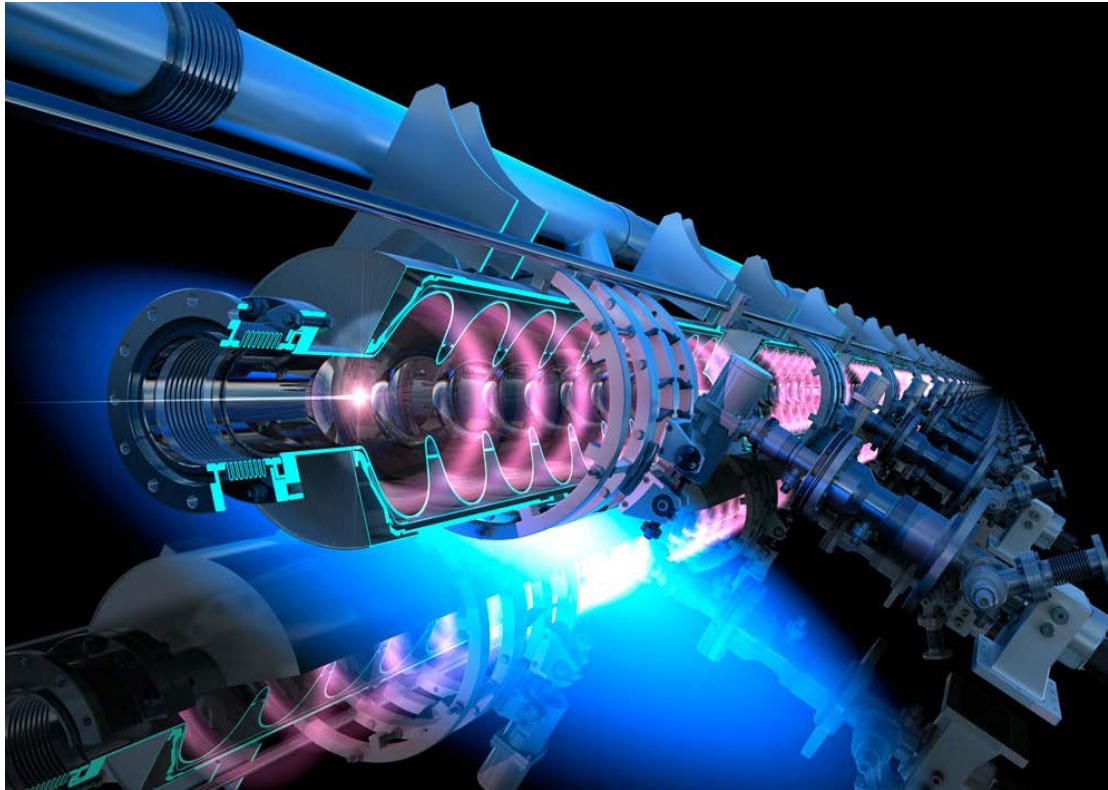
Inputs

←

ALCW2015 and ILC Tokyo Event

<http://www-conf.kek.jp/alcw2015/>

April 20-24, 2015, at KEK and Tokyo



ALCW
2015

Asian Linear Collider Workshop
20-24 April '15 KEK Tsukuba, Japan

Nikhef Stafoverleg - Jan Timmermans