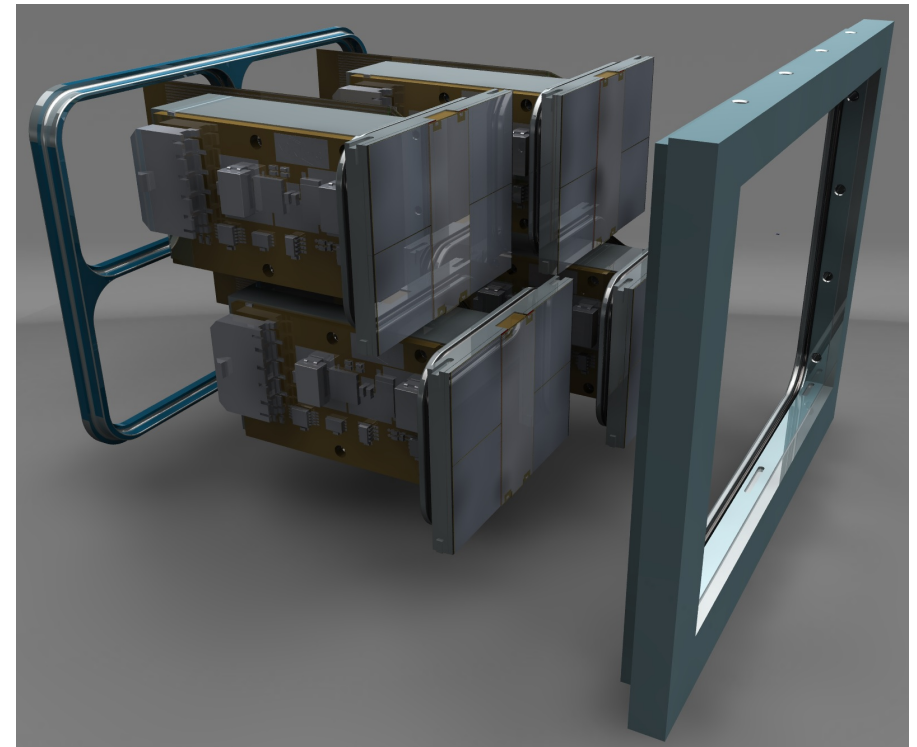
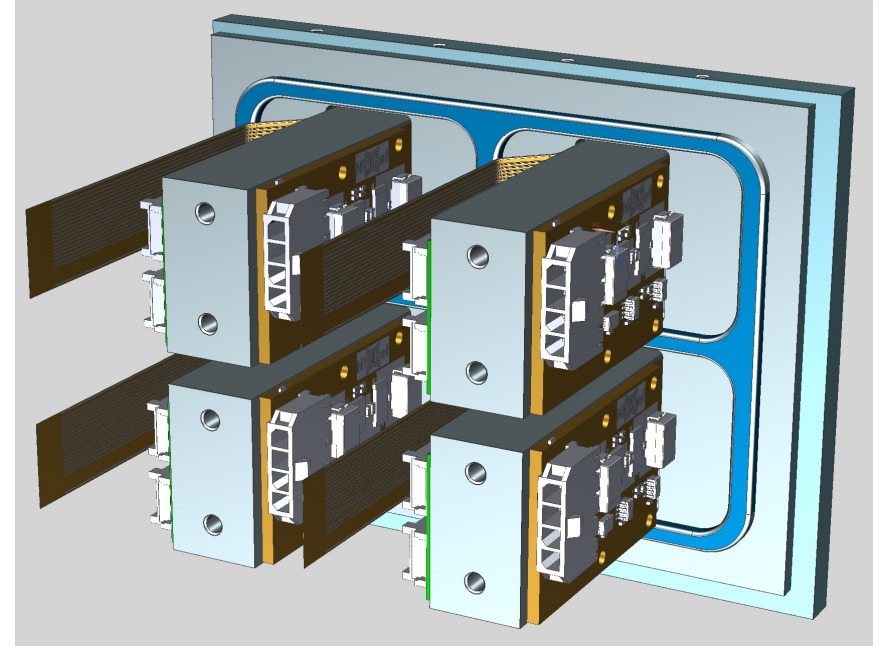
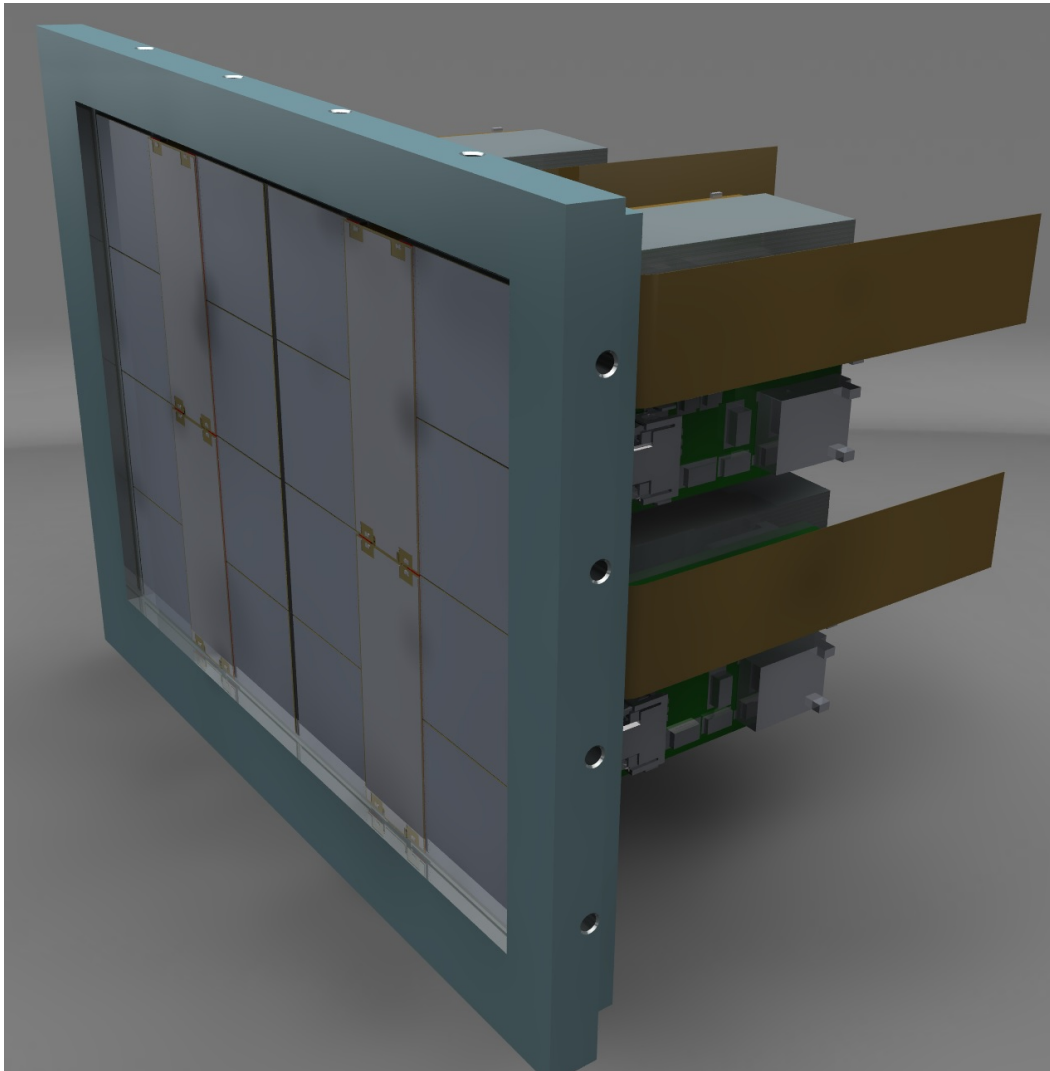
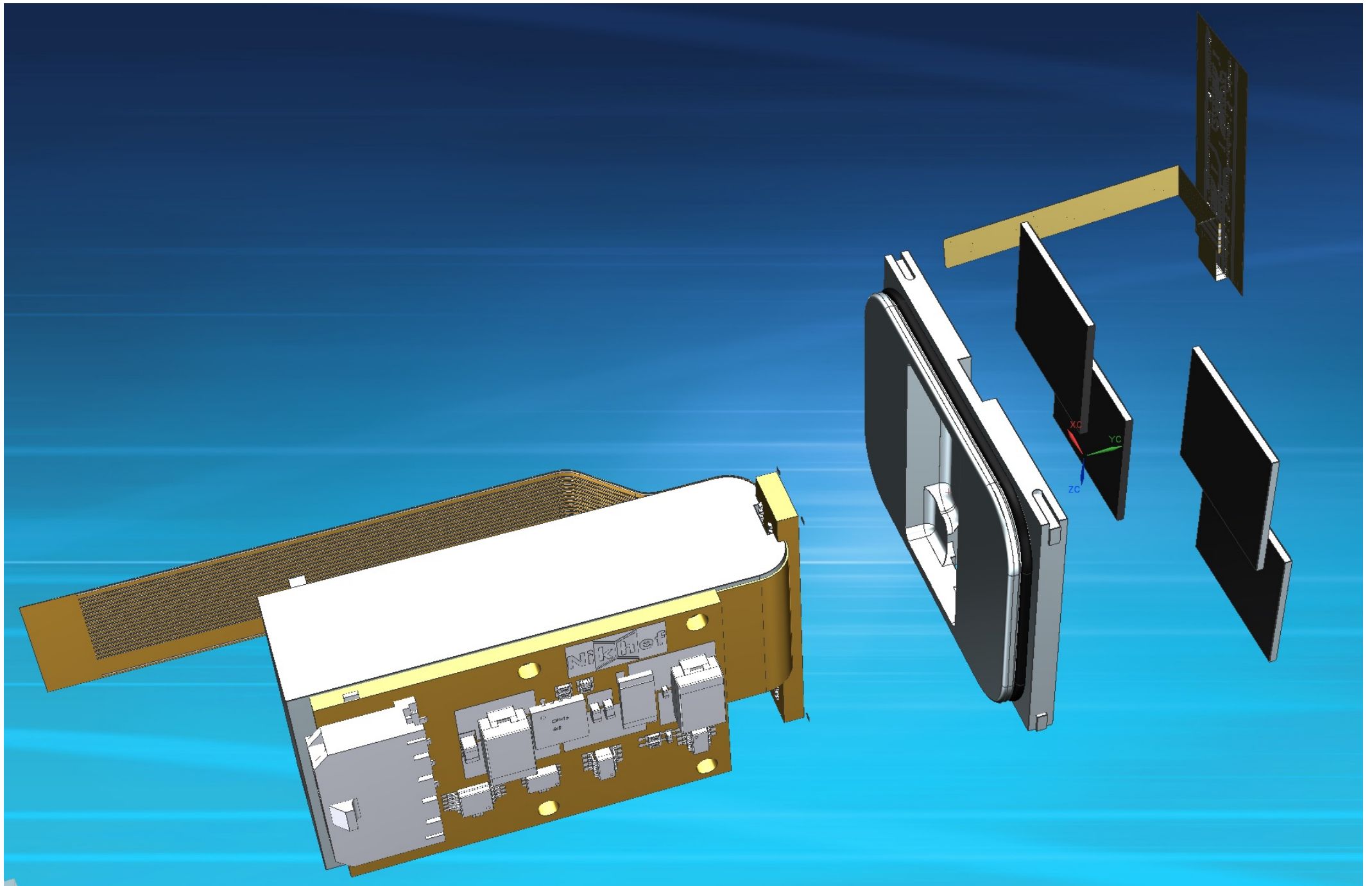
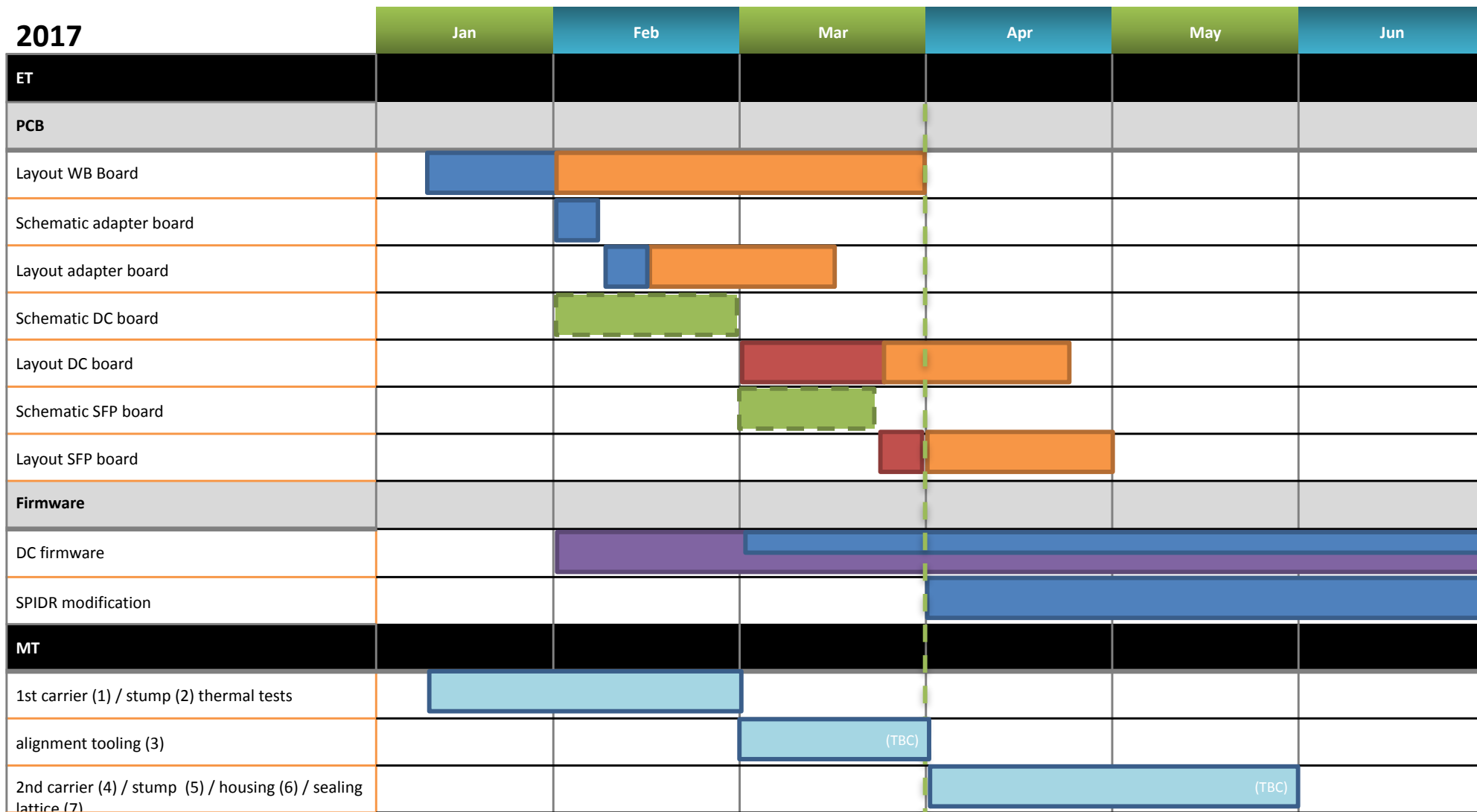


LepCol GridPix

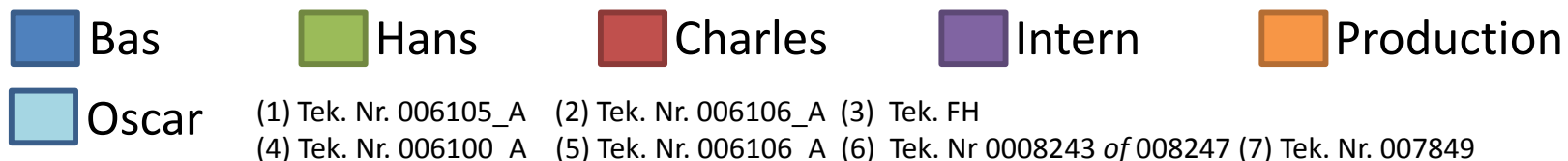


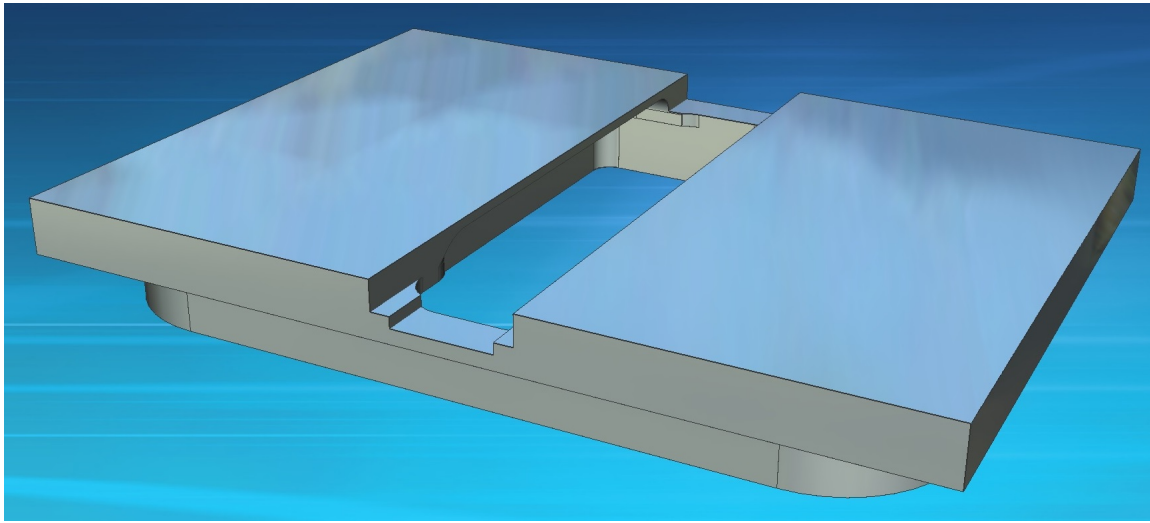


2017

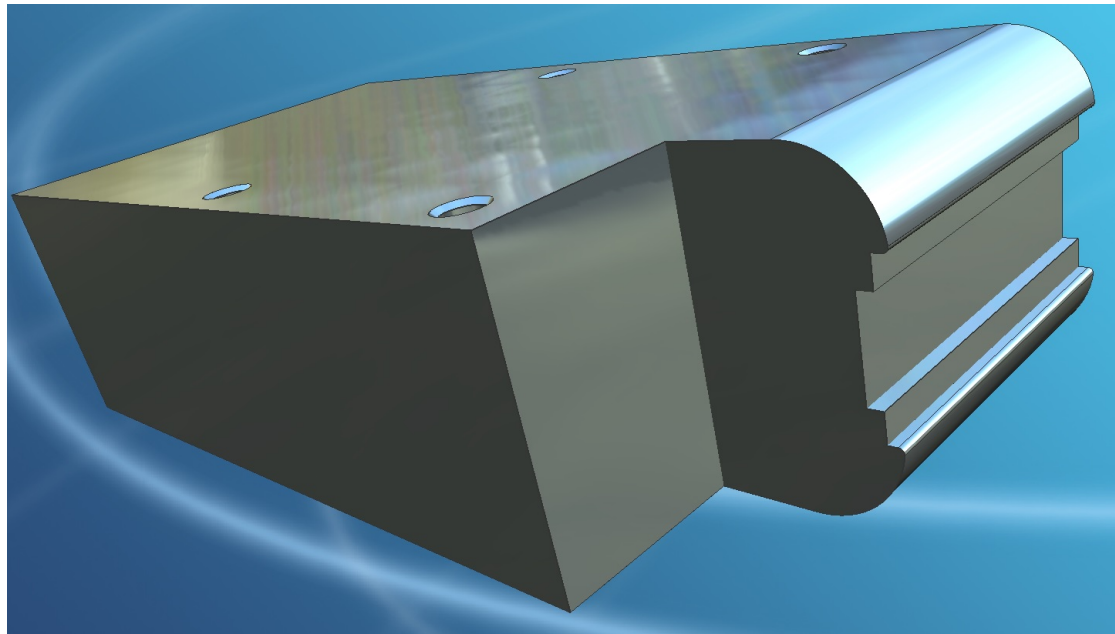
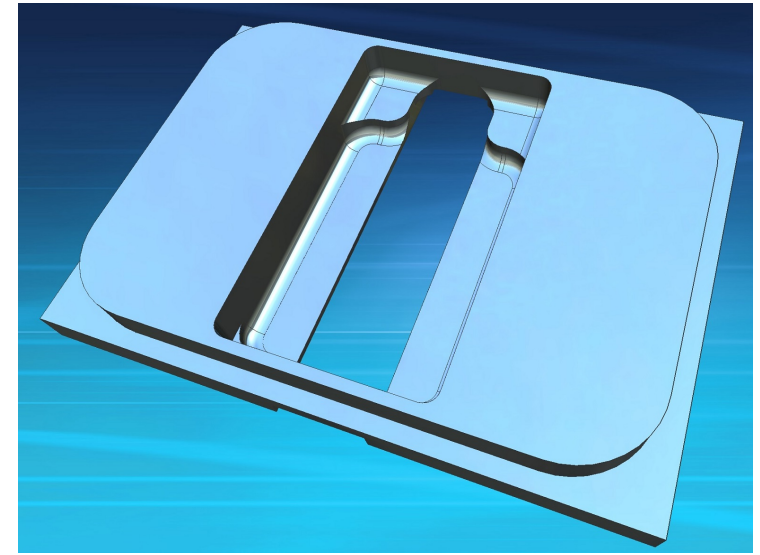


Start assembly testing

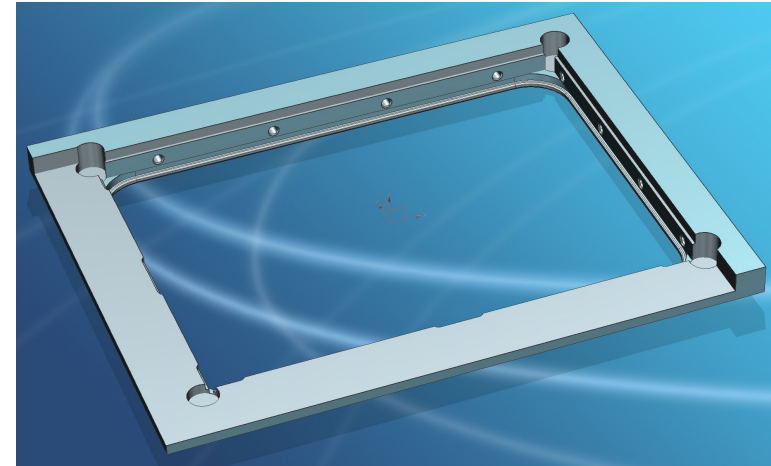
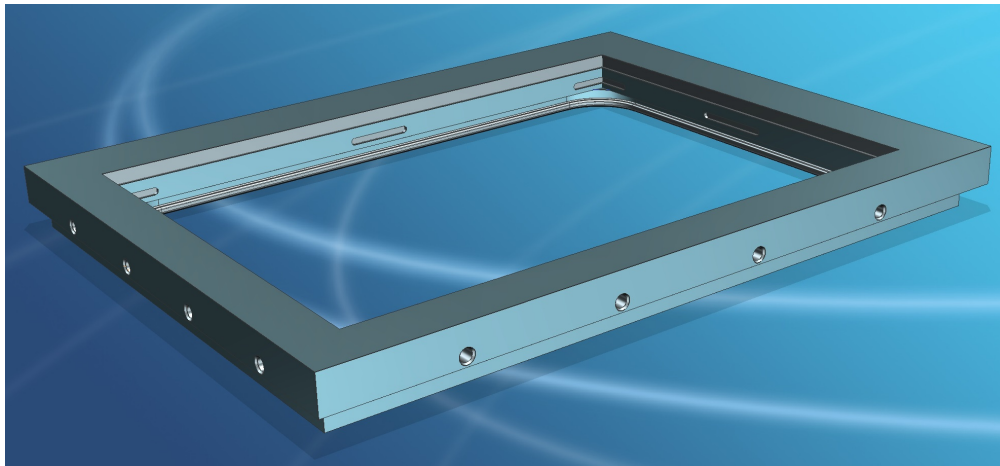




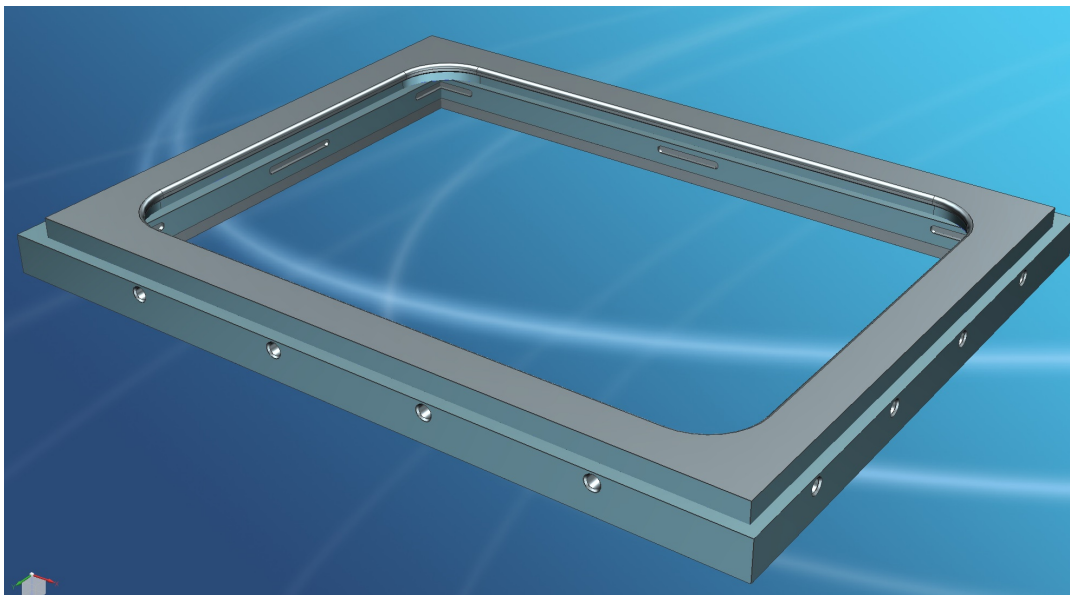
(1) Tek. Nr. 006105_A

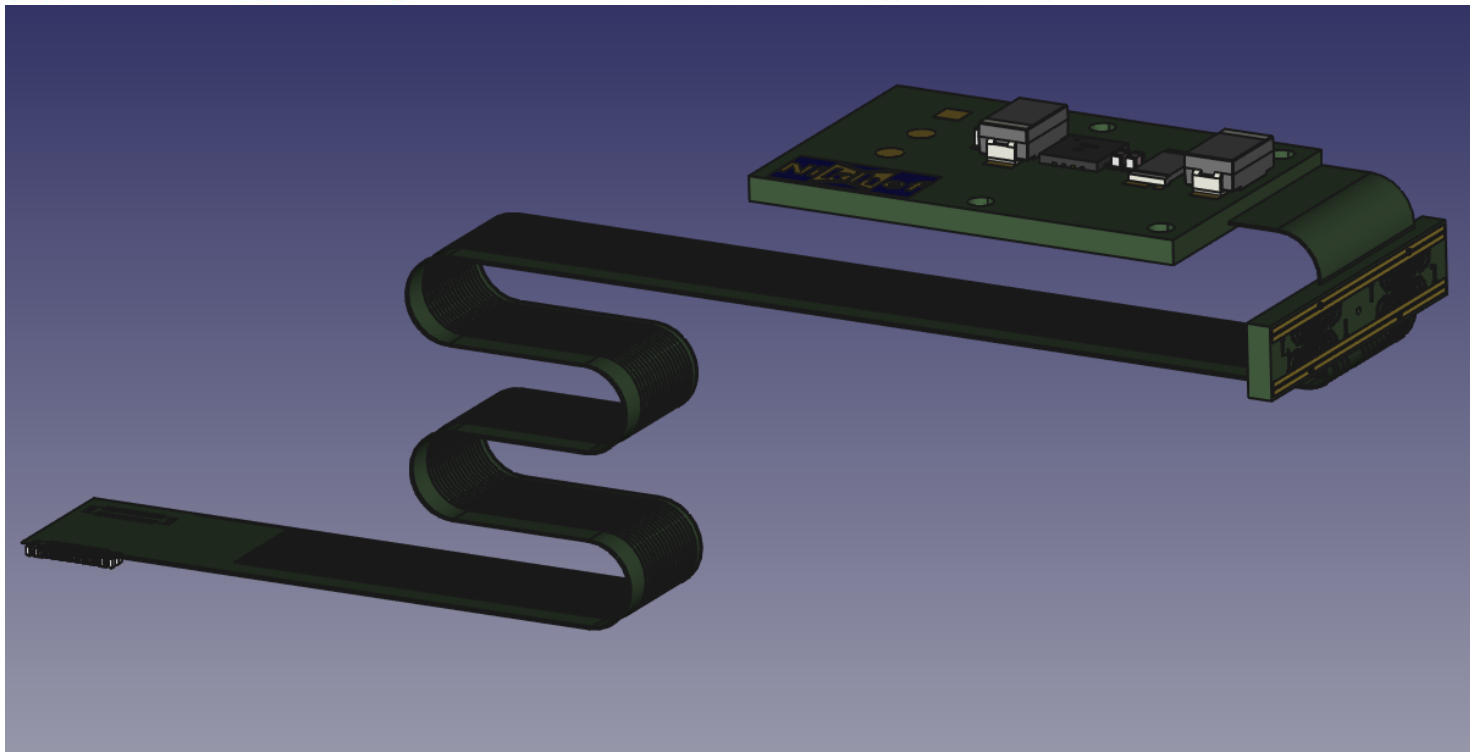


(2) Tek. Nr. 006106_A

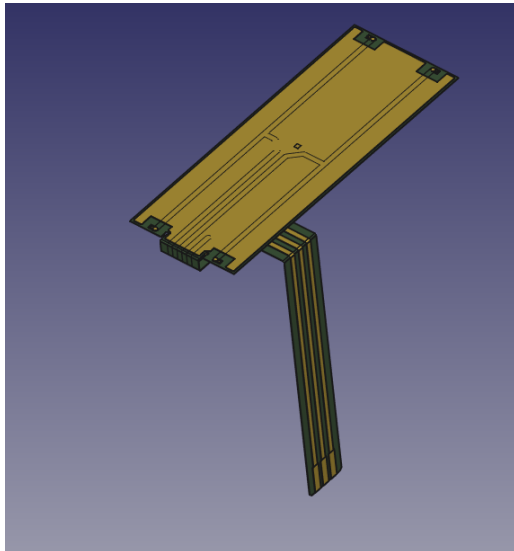


(6) Tek. Nr 0008243 of 008247

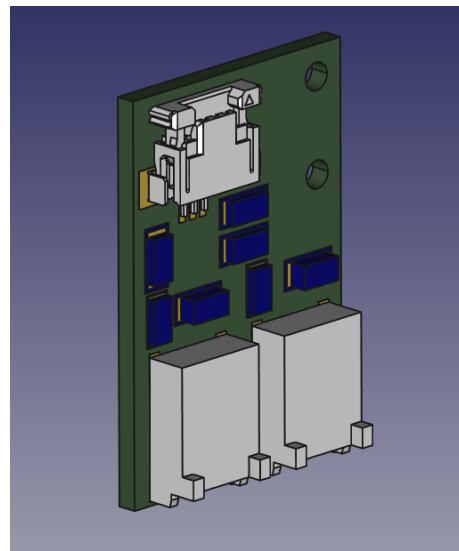




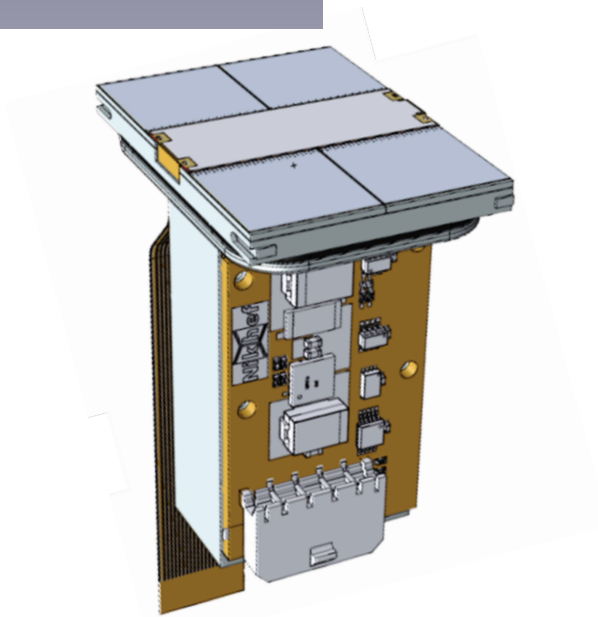
WireBond board



HV guard



HV power



Quad assembly