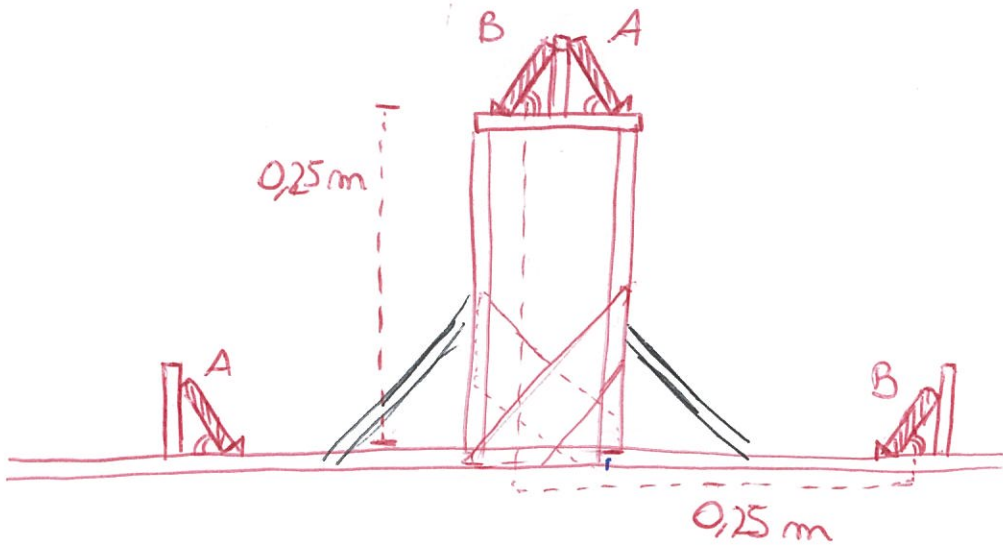


group 2

Scintillator-PMT



A-A coincidence
B-B coincidence

$\angle 45^\circ$

Goal: Measure possible charge asymmetry for cosmic rays. Products of cosmic rays will bend in the earth magnetic field. Considering the direction of the magnetic field, a preference for cosmic ray products coming from the west is expected.

Method:

Considering that cosmic ray products have higher multiplicity in the direction from the zenith, and an east-west setup is needed, the alignment of the detectors will be 45° with respect to the earth in an east-west configuration, according to the picture.

It is constructed in a wooden frame.

The gates for the coincidence will be the top scintillators with Hand A together and B and B together for coincidence.