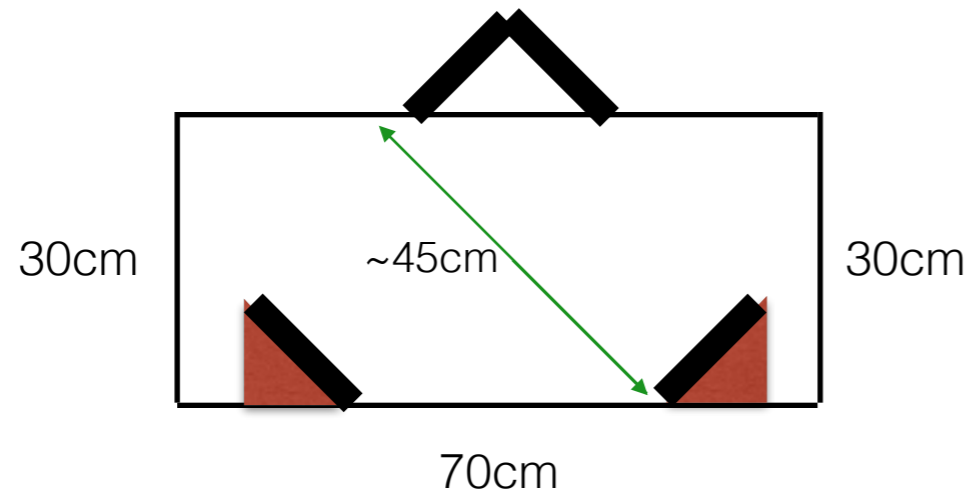


Group 7

# Hunting for the positively charged excess



Angle 45 deg

Calibration 635 VS 700 in 5 min

Counts 1512 VS 1606 in 3 hours

Outlook: Measurement with switched configuration

