



## QUAD status

Fred Hartjes  
NIKHEF

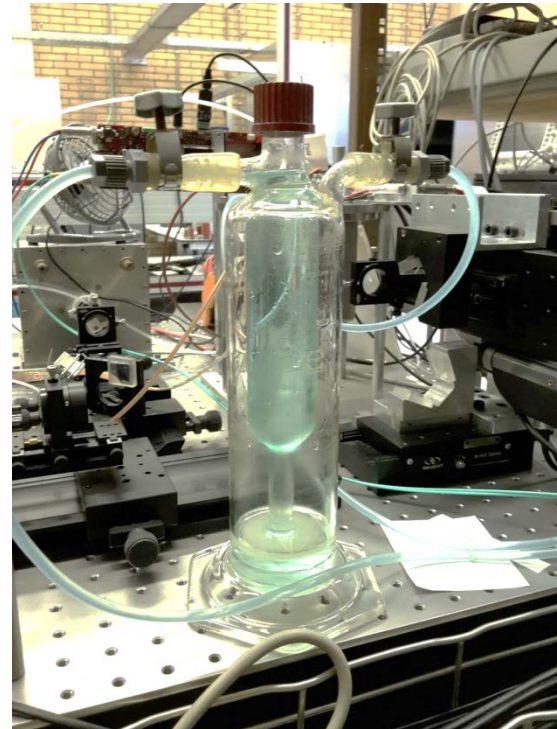
Nikhef/Bonn LepCol meeting  
May 22, 2018

# Status Laser Setup

- **New DCS PC being installed**
- Existing DCS PC was old ( $\gg 5$  y) and unreliable
  - C drive full
- Most components are installed and operational
  - HV control
  - Gas flow control
  - Stage control not yet fixed
  
- But a few flaws:
  - Laser on/off switch
    - Existing PCI DAQ unit outdated
    - Replaced by DAQpad-6015
      - Does not have a driver for W10 64 bit
    - USB-6211 ordered
  - Humidity sensor cannot be read out
    - .NET Framework 3.5 cannot be loaded
    - For CT to solve
  - O2 meter still in repair
    - Promised to arrive today

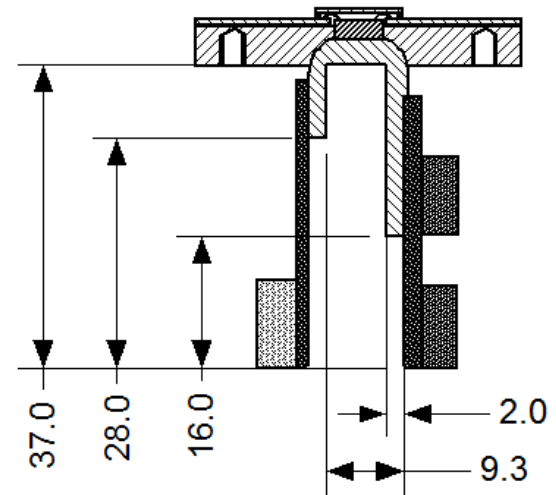
# Status Laser Setup cntd

- Having problems with liquid cooling
  - Aluminum cooling plate
  - Debris from corrosion blocks coolant flow after one day
  - Adding car antifreeze does not help
  - Now trying pure glycol
    - Lasts for at least 4 days
- HV tolerance of QUAD still fine
  - Default at -300 V grid
  - Running at -330 V
    - Current ~ 1 nA or less
    - No current instability or sparking



# New QUAD production

- Mechanics for one QUAD produced
  - Strongly reduced stump
- Dedicated storage boxes ordered
  - Antistatic poly carbonate
- But waiting for
  - Wirebond board (15 ordered)
  - Initially promised on April 18
  - Now delayed to June 8
    - Failure due to underetching
- Oscar on holydays until ~July 5
- Finally good news from Yevgen
  - Problem with SiN deposition machine just solved
  - Starting today with producing InGrids on TPX3 chips



■ So we might have a new QUAD on the end of July at the earliest