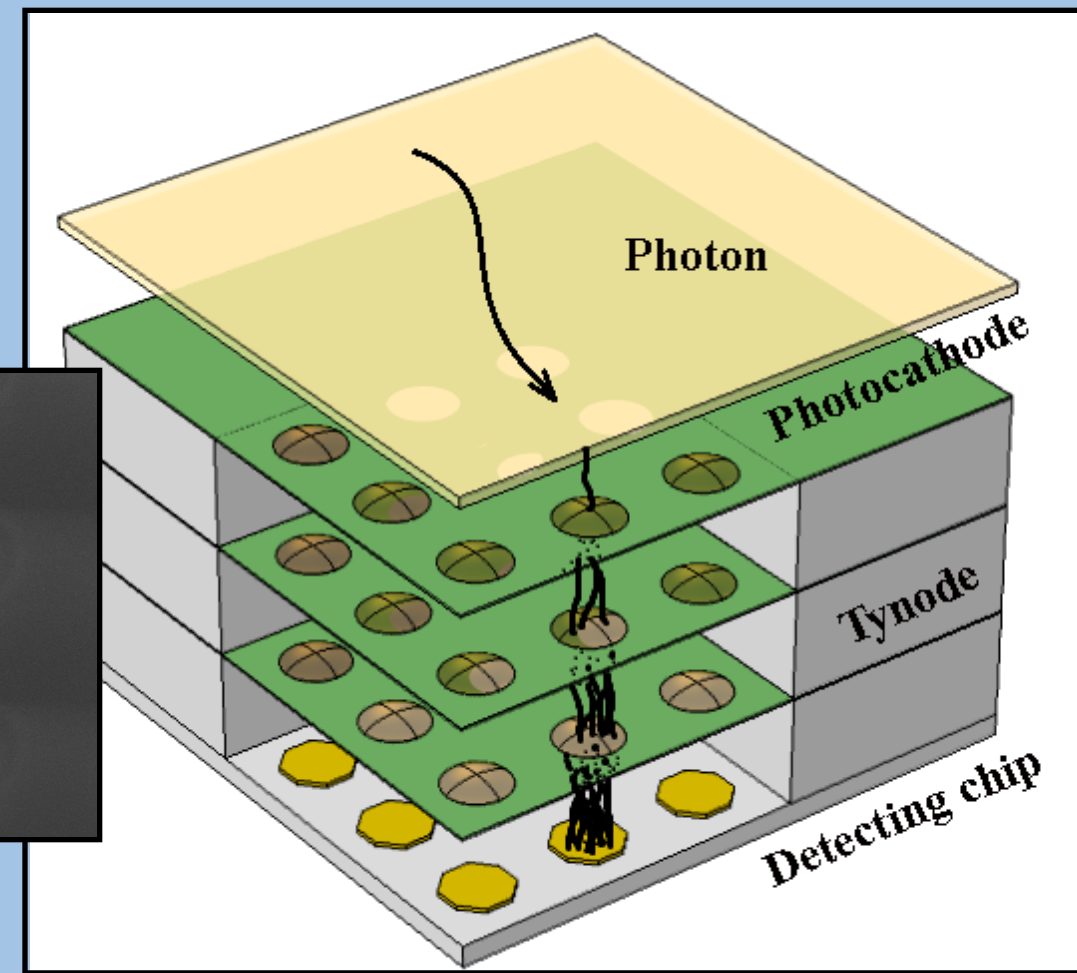
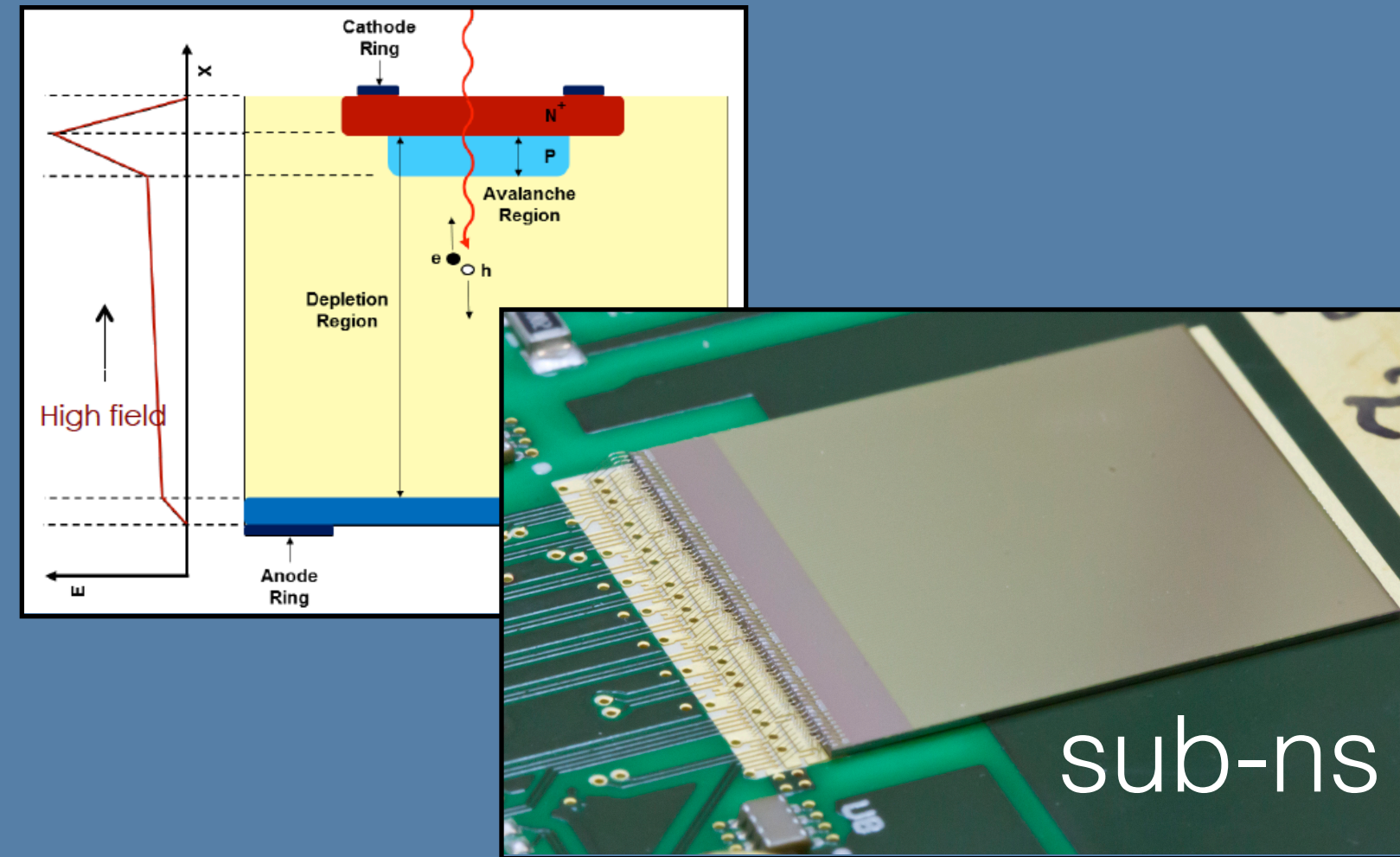


# DR&D in 2018

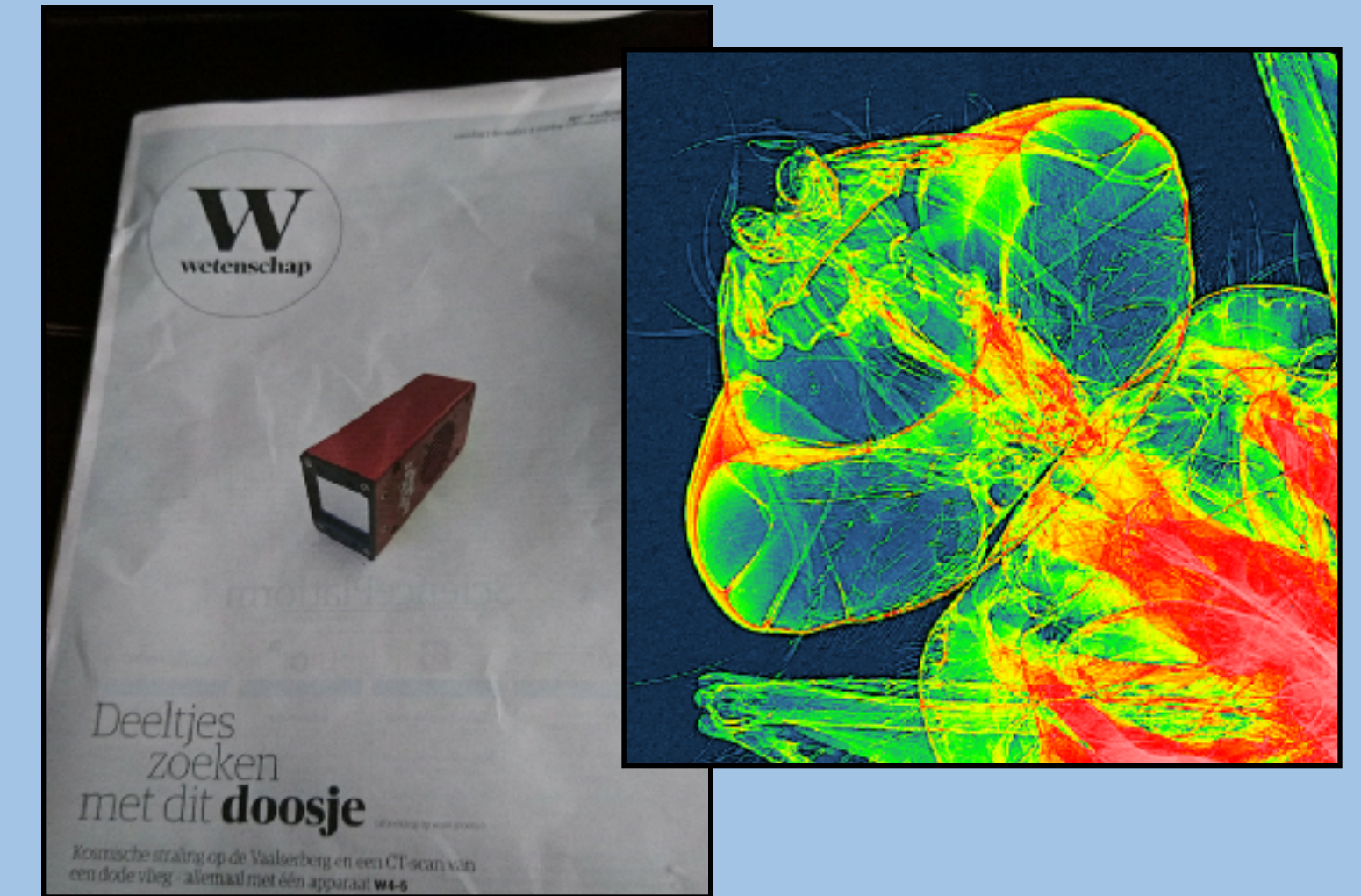
## Prototype TIPSy



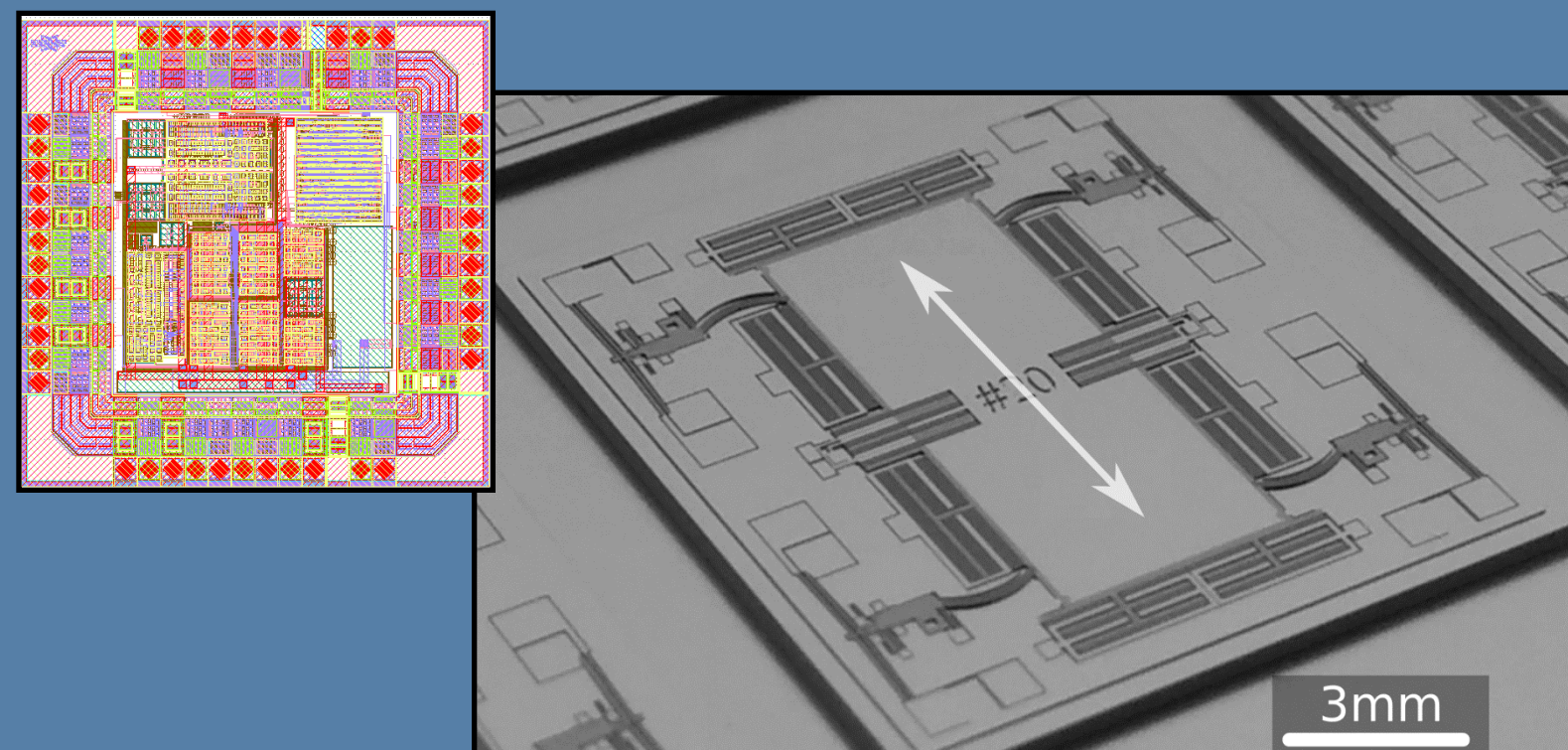
## Fast ASIC's & Sensors



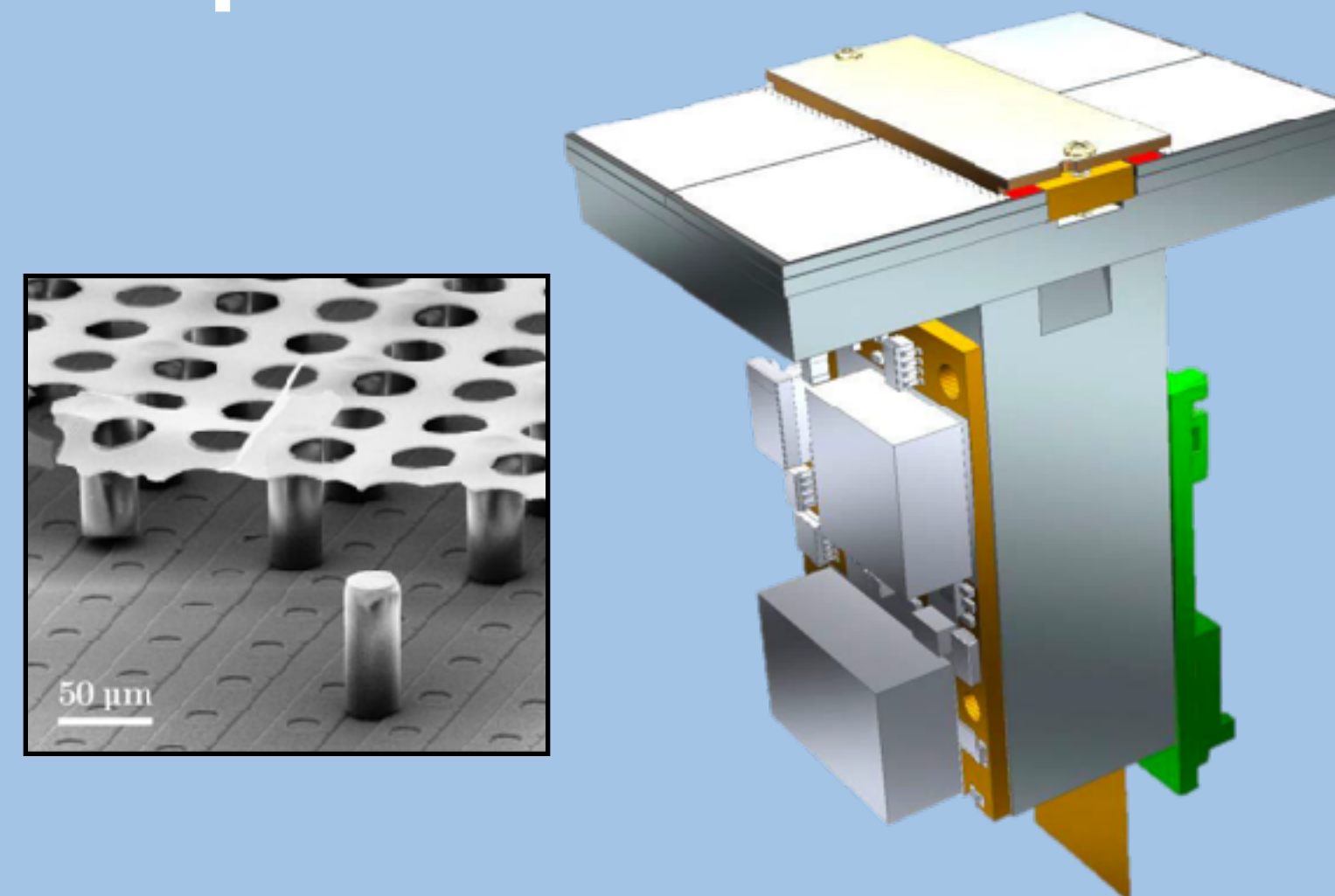
## X-ray CT



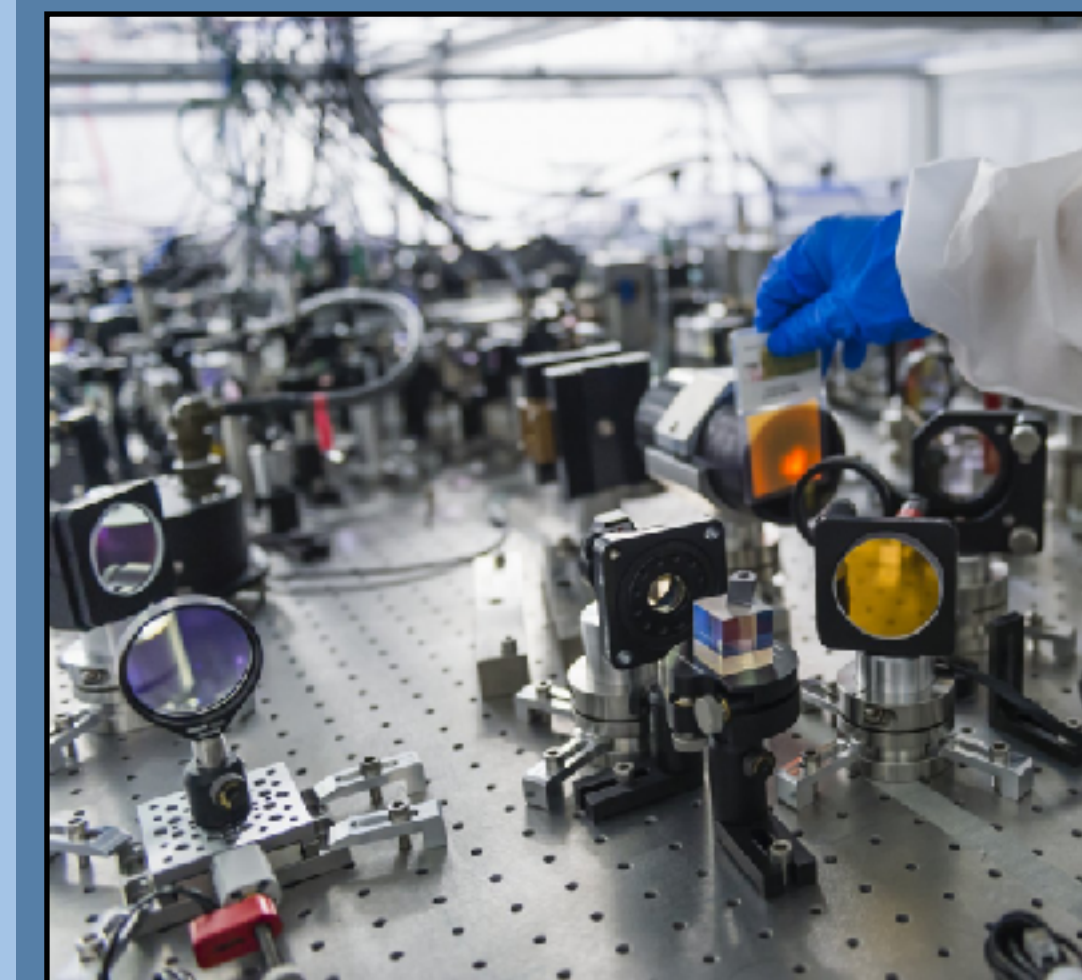
## MEMS Accelerometer with ASIC readout



## Gridpix Quad - LEPCOL



## Realize optics R&D lab



Wave front sensors,  
Holography project  
Suspended cavity  
Higher-order-modes beam,  
...